

DC Centrifugal Fans

Backward Curved, $\Phi 133$

DC后向离心风机



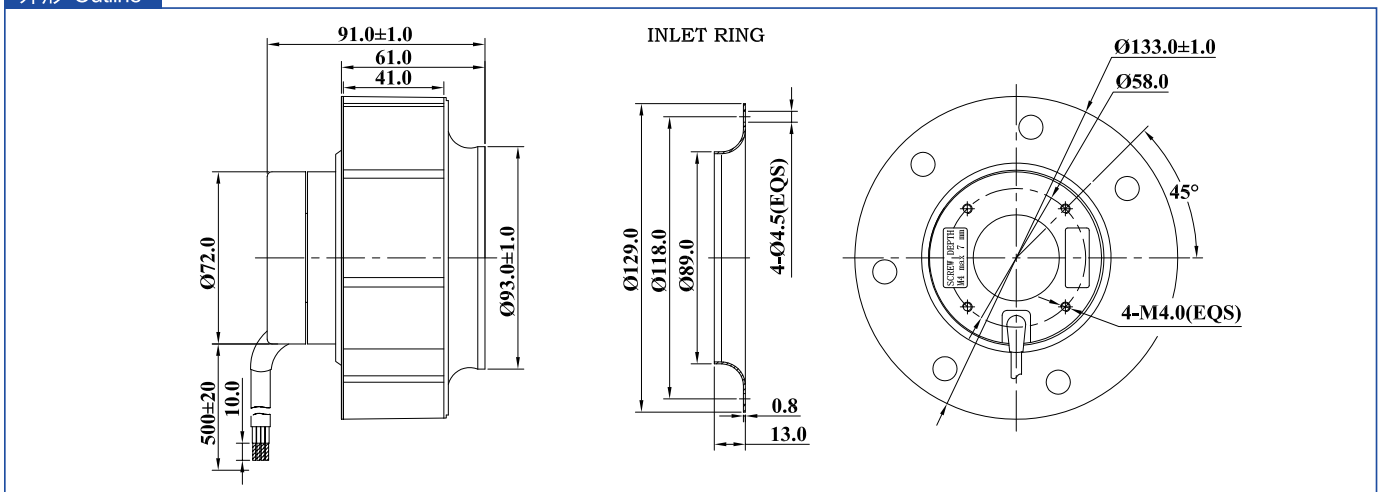
Impeller: Plastic PP
Motor: DC brushless external rotor motor
Insulation: Class B
Approvals: CE;UL E306337
Operating Temperature: -20~+60°C

叶轮材质: 塑胶PP
 电机类型: DC无刷外转子电机
 绝缘等级: Class B
 产品符合的认证: CE;UL E306337
 工作温度: -20~+60°C

技术参数 Specifications

Listed Model 产品型号	Rated Voltage 额定电压	Operating Voltage 工作电压	Rated Current 额定电流	Rated Power 额定功率	Rated Speed 额定转速	Air Flow 风量		Air Pressure 风压		Noise Level 噪音	Net Weight 重量
Part NO.	VDC	VDC	A	W	RPM	CFM	m ³ /h	mmH ₂ O	inH ₂ O	dBA	Kg
PI1213361HB2M	12	9.6~14.4	2.7	32.4	4,000	210.6	357	39.39	1.55	65	0.74
PI2413361HB2M	24	16~28	1.6	38.4	4,000	210.6	357	39.39	1.55	65	0.74
PI4813361HB2M	48	36~56	0.8	38.4	4,000	210.6	357	39.39	1.55	65	0.74

外形 Outline



曲线 Curves

