

DC Centrifugal Fans

Backward Curved, $\Phi 175$

DC后向离心风机



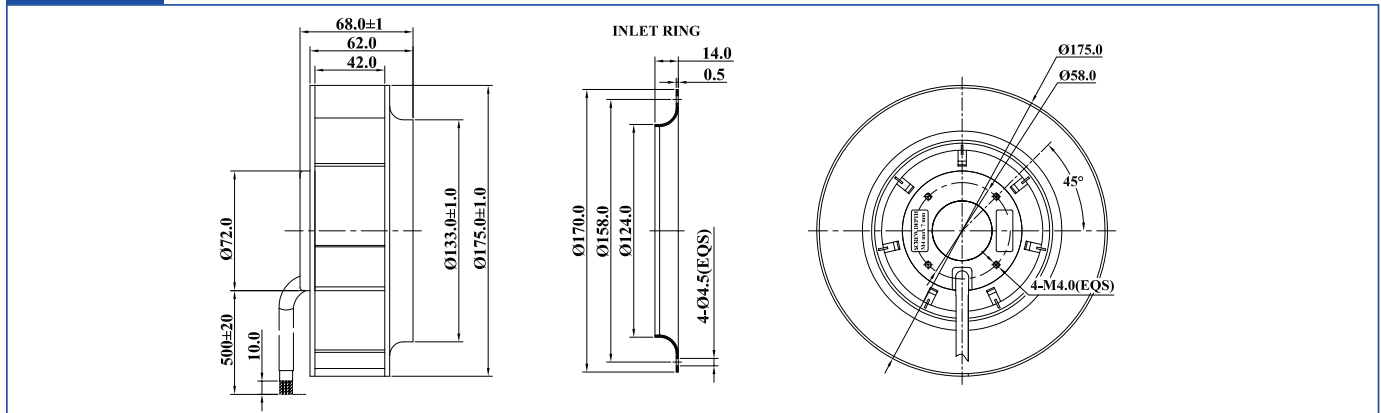
Impeller: Plastic PA66
Motor: DC brushless external rotor motor
Insulation: Class B
Approvals: CE;UL E306337
Operating Temperature: -20~+60°C

叶轮材质: 塑胶PA66
 电机类型: DC无刷外转子电机
 绝缘等级: Class B
 产品符合的认证: CE;UL E306337
 工作温度: -20~+60°C

技术参数 Specifications

Listed Model 产品型号	Rated Voltage 额定电压	Operating Voltage 工作电压	Rated Current 额定电流	Rated Power 额定功率	Rated Speed 额定转速	Air Flow 风量		Air Pressure 风压		Noise Level 噪音	Net Weight 重量
Part NO.	VDC	VDC	A	W	RPM	CFM	m ³ /h	mmH ₂ O	inH ₂ O	dBA	Kg
PI1217562HB2M	12	9.6~14.4	2.8	33.6	3,000	308	523.3	33.17	1.31	62	0.77
PI2417562HB2M	24	16~28	2.3	55.2	3,300	339.4	576.5	39.56	1.56	64	0.77
PI2417562UB2M	24	16~28	3	72.0	3,800	399	677.8	49.04	1.93	70.5	0.77
PI4817562HB2M	48	36~56	1.2	57.6	3,300	339.4	576.5	39.56	1.56	64	0.77
PI4817562UB2M	48	36~56	2.2	105.6	4,200	431.2	723.3	60.26	2.37	73	1.05

外形 Outline



曲线 Curves

