

# EC Single Inlet Blower

Φ160

## EC单进风鼓风机



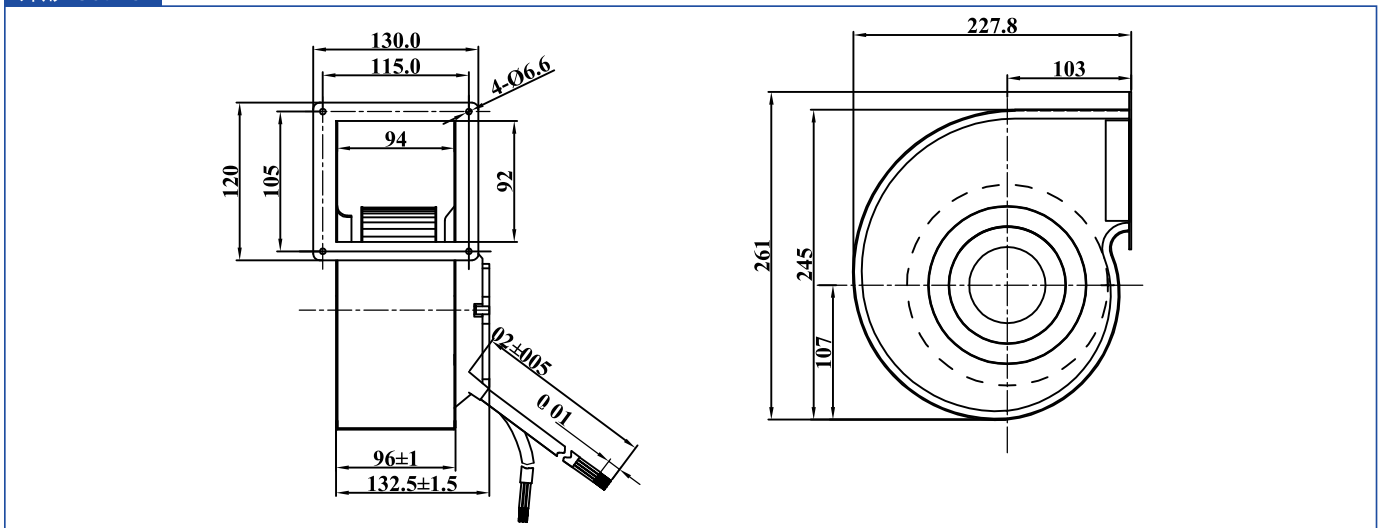
**Impeller:** Metal sheet  
**shell:** Metal sheet and coated in black  
**Motor:** EC brushless external rotor motor  
**Insulation:** Class B  
**Approvals:** CE;UL is in process  
**Operating Temperature:** -20~+60°C  
**Technical Features:** Control input 0-10VDC/PWM, tach output. Locked rotor protection, reverse polarity. Current limited, soft start

叶轮材质: 金属钢  
 外壳材质: 金属钢及表面烤黑漆  
 电机类型: EC无刷外转子电机  
 绝缘等级: Class B  
 产品符合的认证: CE;UL申请中  
 工作温度: -20~+60°C  
 技术特性: 调速输入0-10VDC/PWM, 调速信号输出, 堵转, 极性、限流保护, 软启动

### 技术参数 Specifications

| Listed Model<br>产品型号 | Rated Voltage<br>额定电压 | Operating Voltage<br>工作电压 | Rated Current<br>额定电流 | Rated Power<br>额定功率 | Rated Speed<br>额定转速 | Air Flow<br>风量 |                   | Air Pressure<br>风压 |                    | Noise Level<br>噪音 | Net Weight<br>重量 |
|----------------------|-----------------------|---------------------------|-----------------------|---------------------|---------------------|----------------|-------------------|--------------------|--------------------|-------------------|------------------|
| Part NO.             | VAC                   | VAC                       | A                     | W                   | RPM                 | CFM            | m <sup>3</sup> /h | mmH <sub>2</sub> O | inH <sub>2</sub> O | dBA               | Kg               |
| PB1E16062HB2M-B      | 115                   | 92~132                    | 2.8                   | 180.0               | 2,150               | 370            | 628.4             | 50.8               | 2                  | 70                | 3.5              |
| PB2E16062HB2M-B      | 230                   | 184~265                   | 1.4                   | 180.0               | 2,150               | 370            | 628.4             | 50.8               | 2                  | 70                | 3.5              |

### 外形 Outline



### 曲线 Curves

